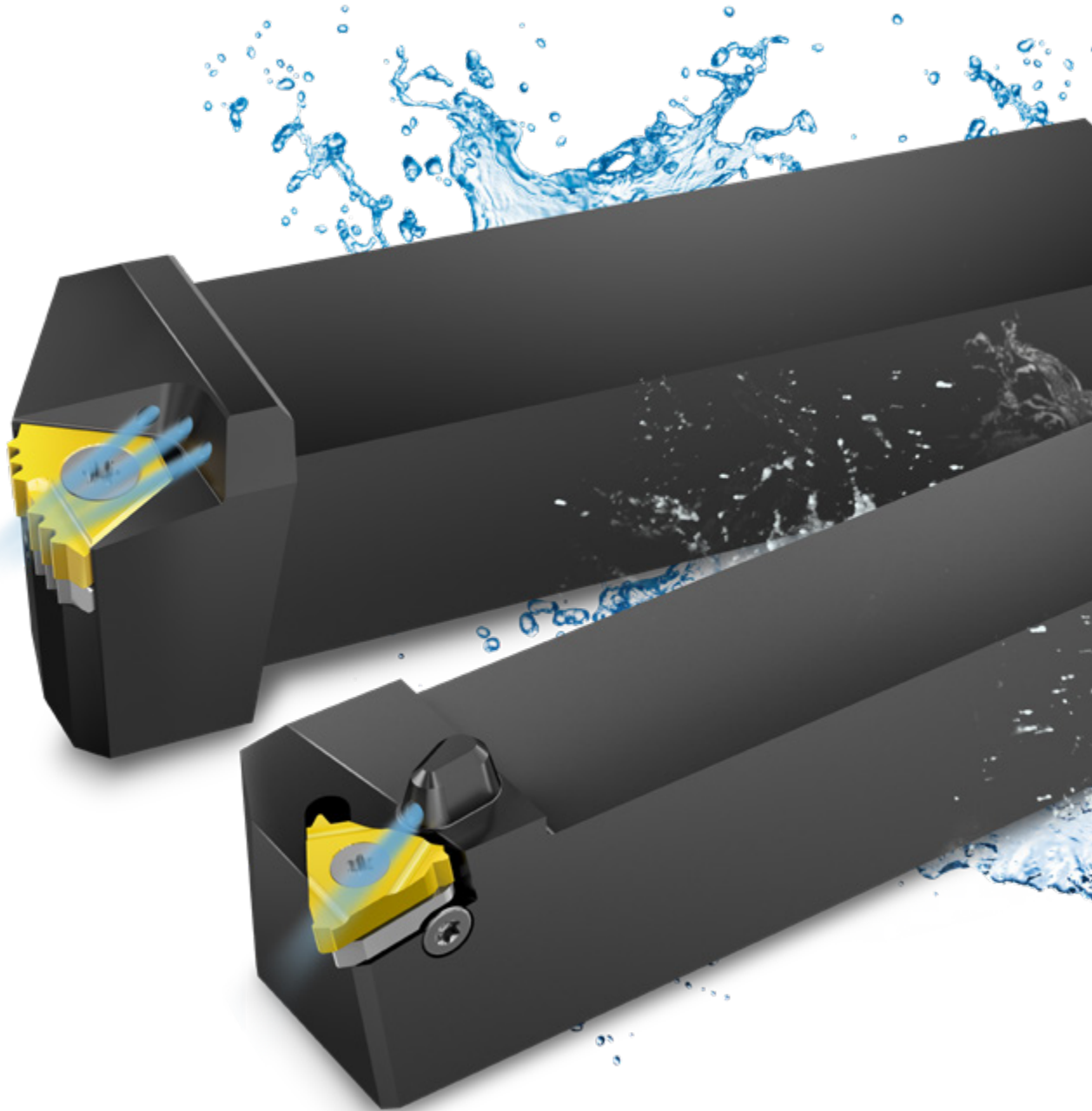
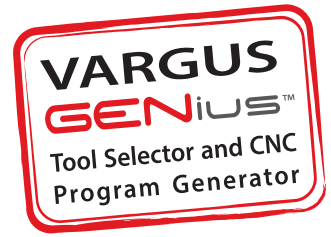


Thread Turning

External Toolholders
with Coolant Thru

NEW



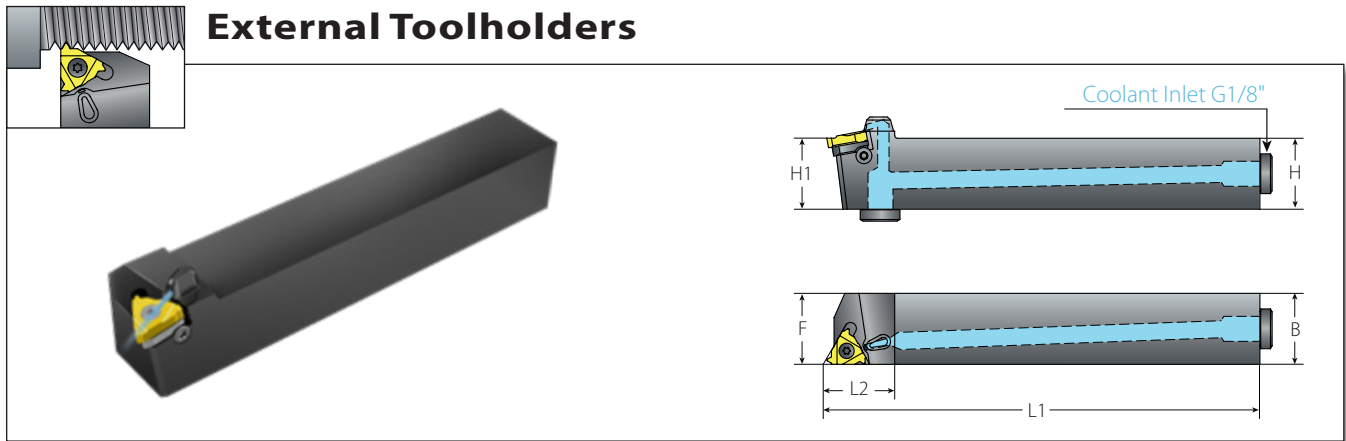


Thread Turning

External Toolholders **with Coolant Thru**

Features and Benefits

- Precise coolant thru, designed to efficiently cool down the cutting edge
- Suitable for high pressure coolant (up to 70 bar)
- Reduced cutting edge temperature for better tool life
- Better chip evacuation and improved chip control and flow
- External holders with coolant are fully supported by **VARGUS GENIUS™**, the most advanced Tool Selector and CNC Program Generator in the metal cutting tools industry



Standard with Coolant - Metric

Insert Size	Ordering Code	Dimensions mm			
		H=H1=B	F	L1	L2
3/8"	ALC16-3	16	16	100	24.5
	ALC20-3	20	20	129	30.0
	ALC25-3	25	25	154	30.0
	ALC32-3	32	32	174	30.0

Spare Parts

SA3T	SY3T	K3T	YE3	Plug G1/8"

Standard with Coolant - Inch

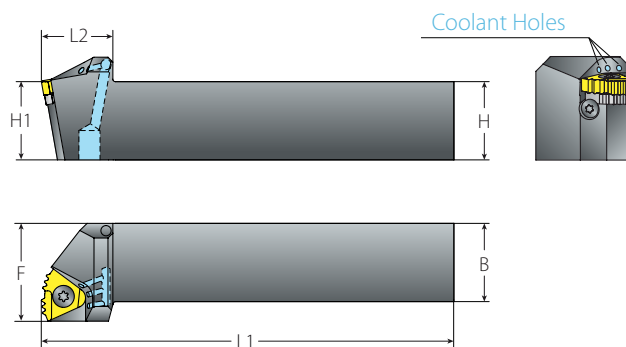
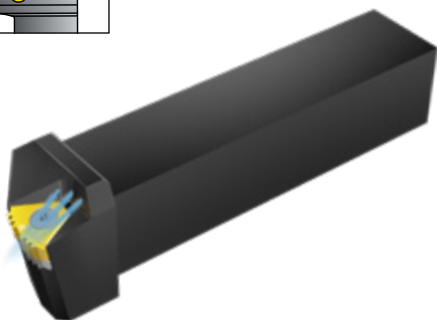
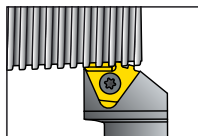
Insert Size	Ordering Code	Dimensions Inch			
		H=H1=B	F	L1	L2
3/8"	ALC0625-3	.63	.63	5.0	1.0
	ALC075-3	.75	.75	5.0	1.2
	ALC100-3	1.00	1.00	6.0	1.2
	ALC125-3	1.25	1.25	7.0	1.2

Spare Parts

SA3T	SY3T	K3T	YE3	Plug G1/8"

The above toolholders have a 1.5° helix angle.
Left Hand tools are available upon request.

External Toolholders



14D Standard with Coolant - Metric

Insert Size	Ordering Code	Dimensions mm			
IC	RH	H=H1=B	F	L1	L2
14D	ALC32-14D	32	32	170	30
	ALC40-14D	40	40	200	30

Spare Parts

Insert Screw	Anvil Screw	Torx Key	Anvil Key	Anvils
SA5T	M4X6(14D)	KT15	K5T	Y14DER-10APIRD; Y14DER-8APIRD; Y14DER-5BUT; Y14DER-10APIRD-3+; Y14DER-5BUT-0.4N

14D Standard with Coolant - Inch

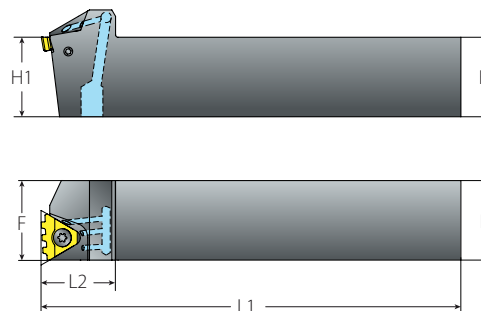
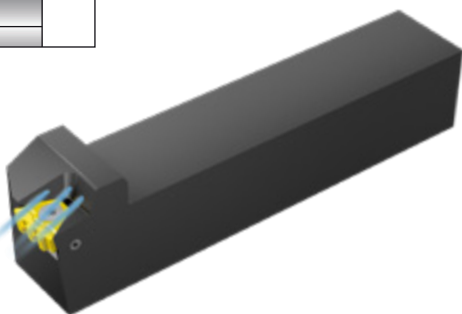
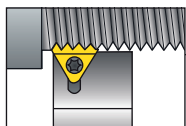
Insert Size	Ordering Code	Dimensions Inch			
IC	RH	H=H1=B	F	L1	L2
14D	ALC125-14D	1.25	1.25	7	1.25
	ALC150-14D	1.5	1.5	8	1.25

Spare Parts

Insert Screw	Anvil Screw	Torx Key	Anvil Key	Anvils
SA5T	M4X6(14D)	KT15	K5T	Y14DER-10APIRD; Y14DER-8APIRD; Y14DER-5BUT; Y14DER-10APIRD-3+; Y14DER-5BUT-0.4N

Left Hand tools are available upon request.

External Toolholders



T+ Style with Coolant - Metric

Insert Size	Ordering Code	Dimensions mm			
IC	RH	H=H1=B	F	L1	L2
1/2" T	ALC32-4T	32	32	170	30
	ALC40-4T	40	40	200	30

Spare Parts

Insert Screw	Anvil Screw	Torx Key	Anvil Key	Anvil RH
SA4T	SY4K2	K4T	K2	Y4T

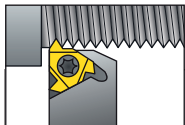
T+ Style with Coolant - Inch

Insert Size	Ordering Code	Dimensions Inch			
IC	RH	H=H1=B	F	L1	L2
1/2" T	ALC125-4T	1.25	1.25	7	1.25
	ALC150-4T	1.5	1.5	8	1.25

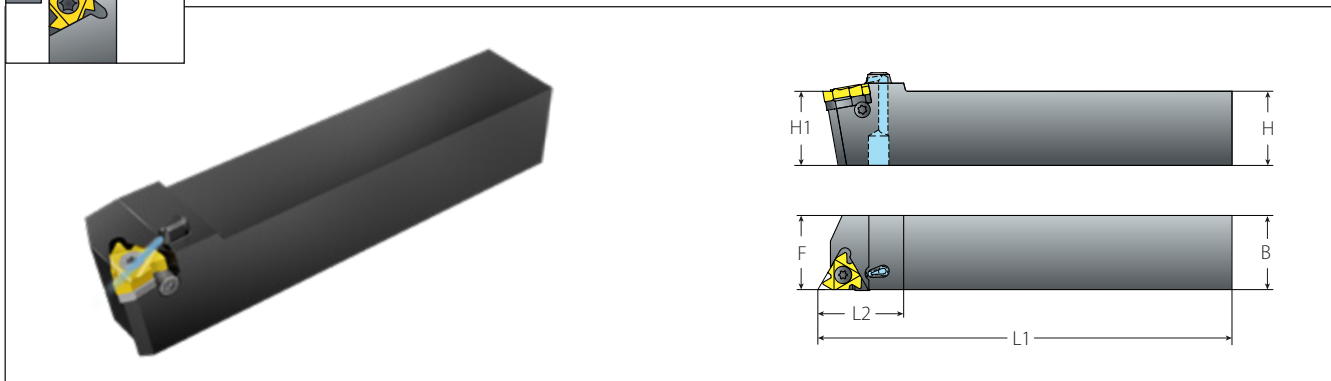
Spare Parts

Insert Screw	Anvil Screw	Torx Key	Anvil Key	Anvil RH
SA4T	SY4K2	K4T	K2	Y4T

All T Style toolholders have a 0° helix angle.
Left Hand tools are available upon request.



External Toolholders



API with Coolant - Metric

Insert Size	Ordering Code	Dimensions mm			
IC	RH	H=H1=B	F	L1	L2
1/2"	ALC32-4-5BUT/API	32	32	177	37
	ALC40-4-5BUT/API	40	40	205	37

Spare Parts

Insert Screw	Anvil Screw	Torx Key	Anvil RH
SA4T	SY4T	K4T	YEI4-API-1P YEI4-5BUT

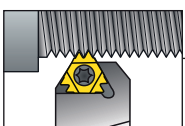
API with Coolant - Inch

Insert Size	Ordering Code	Dimensions Inch			
IC	RH	H=H1=B	F	L1	L2
1/2"	ALC125-4-5BUT/API	1.25	1.25	7	1.6
	ALC150-4-5BUT/API	1.5	1.5	8	1.6

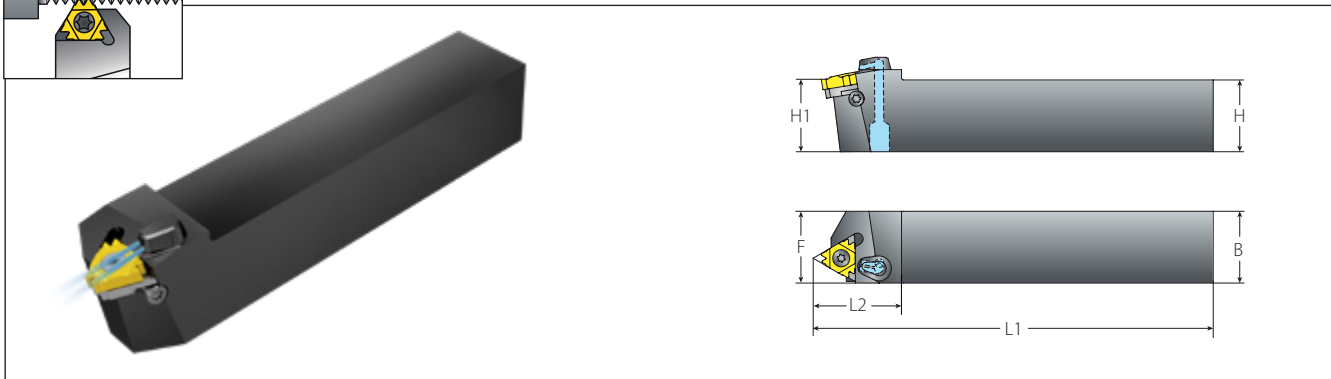
Spare Parts

Insert Screw	Anvil Screw	Torx Key	Anvil RH
SA4T	SY4T	K4T	YEI4-API-1P YEI4-5BUT

All API holders have a 0° helix angle.
Left Hand tools are available upon request.



External Toolholders



Z+ Style with Coolant - Metric

Insert Size	Ordering Code	Dimensions mm			
IC	RH	H=H1=B	F	L1	L2
1/2"Z	ALC32-4Z	32	32	178	37
	ALC40-4Z	40	40	208	37

Spare Parts

Insert Screw	Anvil Screw	Torx Key	Anvil RH
SA4T	SY4T	K4T	YE4Z

Z+ Style with Coolant - Inch

Insert Size	Ordering Code	Dimensions Inch			
IC	RH	H=H1=B	F	L1	L2
1/2"Z	ALC125-4Z	1.25	1.25	7	1.52
	ALC150-4Z	1.5	1.5	8	1.52

Spare Parts

Insert Screw	Anvil Screw	Torx Key	Anvil RH
SA4T	SY4T	K4T	YE4Z

All Z Style toolholders have a 1.5° helix angle.
Left Hand tools are available upon request.